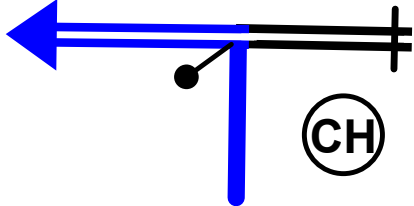
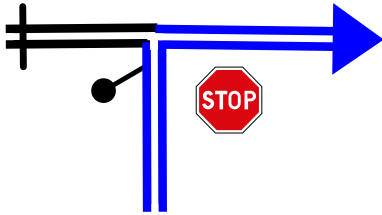
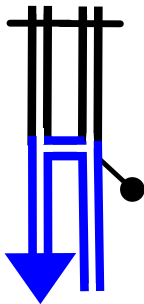
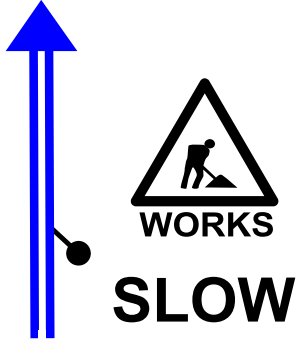
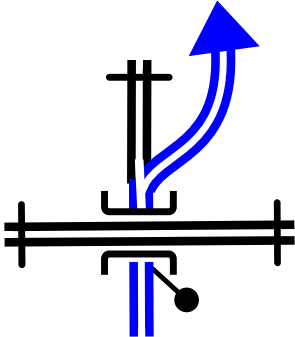

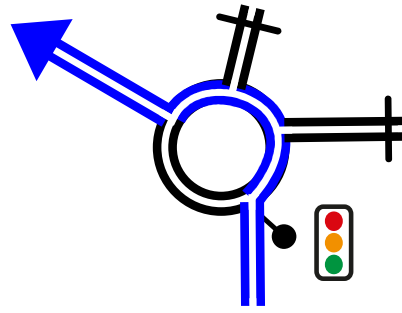
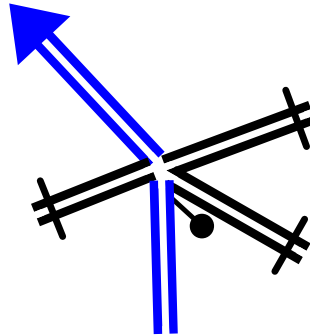
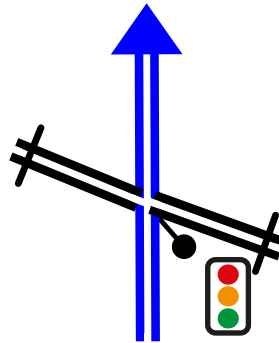
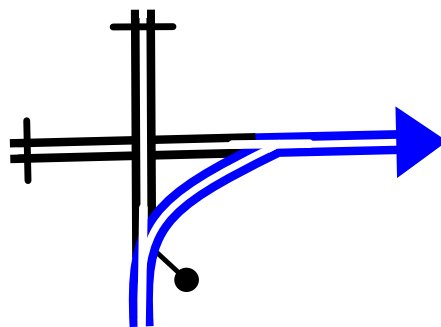
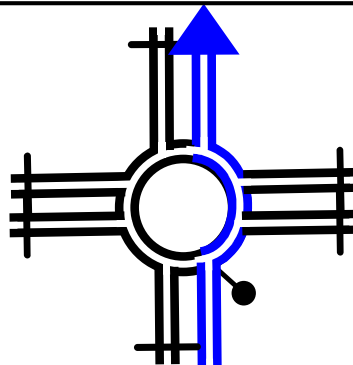
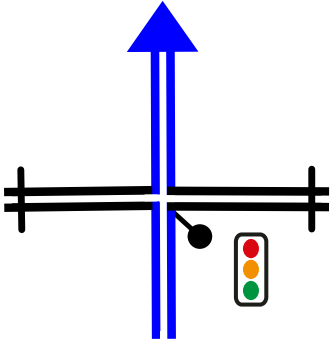
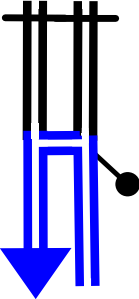
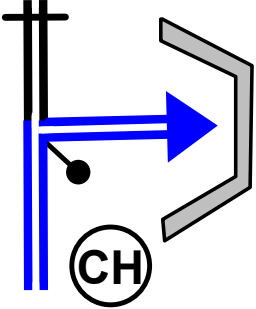


1	QASSIM / PROLOGUE / LIAISON B	Km : 37,67
0,00		
0,00		
1,42		
1,42		
2,07		RETURN
0,65		
22,28		
20,21		
28,28		 PRINCE SULTAN
6,00		

Next 0,87

29,15**0,87****31,99****2,84****34,52****2,53****35,09****0,57****35,60****0,51****Next 0,89**

3	QASSIM / PROLOGUE / LIAISON B	Km : 37,67
<p data-bbox="92 210 422 331">36,49</p> <p data-bbox="70 405 268 504">0,89</p>		
<p data-bbox="92 602 422 723">37,16</p> <p data-bbox="70 797 268 896">0,67</p>		<p data-bbox="1219 696 1525 763">RETURN</p>
<p data-bbox="92 994 422 1115">37,68</p> <p data-bbox="70 1189 268 1288">0,52</p>		<p data-bbox="1267 1055 1477 1122">PARK</p>

Next